

Ahead in Shore Power

Ratio
ELECTRIC



**STATE-OF-THE-ART
SHORE POWER CONNECTIONS**

Ratio
ELECTRIC

Ratio Electric develops, produces and sells electrical power connection and distribution systems. Our company is based in Holland and active throughout Europe. During half a century we gathered a huge amount of experience that is used to meet the latest demands in our markets. Doing so we built up a tradition in innovation with state of the art, reliable and affordable products. These products are delivered to OEM's or distributed by specialized wholesale companies, covering the following areas:

Marine

Our Shore Power connection system is the marine standard all over Europe. The MP16/32/50 boat inlets and cables are stylish and safe. Every marine product is designed to be user-friendly and still able to withstand the rigors of life at sea.

E-Mobility

Ratio Electric provides high quality AC connection and charging systems for electric and plug-in hybrid electric vehicles. All these products, such as charge stations, cables and components comply with the latest European standards.

Industry and Office

We are an industry leading supplier of power cords, cord sets, power strips, power plugs, power connectors and other components. On request we also develop custom made power connections with required approvals.

ICT

We are well acquainted with Data centers. Ratio Electric modular solutions for power distribution and power management in 19" racks can be found all over Europe. Our complete range of Power Distribution Units (PDU's) and power cords will normally suit your needs. When required we also produce custom made specific versions in small quantities.



Ratio
ELECTRIC

In this catalogue you will find the best products to connect your boat with the power supply from the land. Every product we make is designed to be functional, practical and able to withstand the harsh marine environment. Boatyards and yachtmen all over Europe prefer state-of-the-art shore power products from Ratio Electric.



Ratio Electric develops innovative shorepower connections and power solutions for every type of boat.

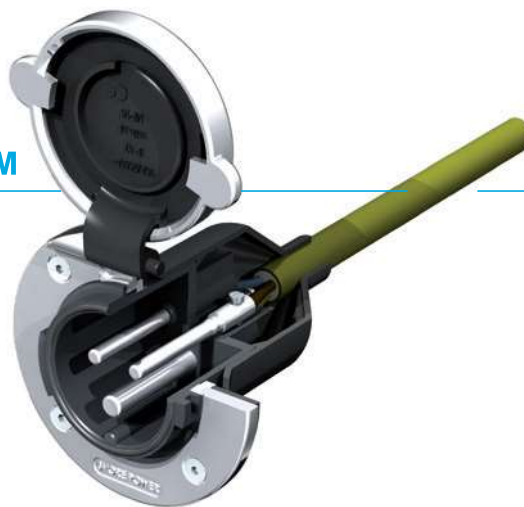
Ranging from robust cables to stainless steel inlets. We also carry a vast range of stylish, functional and safe accessories.



Ratio
ELECTRIC

A waterproof, stylish and approved shore power connection system for your boat.

MP SERIES WATERPROOF CONNECTION SYSTEM



Ratio Electric has designed the MP 16 (16A/250V), MP32 (32A/250V) and MP50 (50A/250V) system to offer a waterproof, stylish and approved shore power connection system for your boat.

The system is based on the world standard for outdoor connections (the IEC 60309) and features a boat inlet and a mating connector (moulded or assembled).

STAINLESS STEEL INLET



The MP16, MP32 and MP50 inlets are made from solid cast marine grade 316 stainless steel and include an easy locking waterproof cap.

The requirements for installation of electrical systems on craft of hull length up to 24m are specified in the ISO13297 standard. MP16, MP32 and MP50 inlet will not accept standard CEE couplers.

CABLE CONNECTORS



The MP16 and MP32 cable connectors are available in a moulded watertight version as well as an assembly (rewireable) type. The MP50 cable connector is only available in an assembly version. All types include a weatherproof sealing cap to ensure CE compliance.

Moulded connector

- LED power indication
- Watertight moulded construction
- 16A and 32A version

Assembly connector

- Weatherproof marine construction
- Easy assembly
- 16A, 32A and 50A version



Ratio
ELECTRIC



16A/250V STAINLESS STEEL INLET

- Part no. MP16-10
- Marking: CE
- Waterproof: IP56
- Solid cast 316 stainless steel



16A/250V POLYAMID INLET

- Part no. MP16-10-K
- Marking: CE
- Waterproof: IP56
- Glass filled PA6



16A/250V CHROMED INLET

- Part no. MP16-10-KX
- Marking: CE
- Waterproof: IP56
- ABS chrome plated

MP16 CORD SETS



- Marking: CE
- Waterproof: IP44
- PUR cable (H07BQ-F)
- Watertight moulded plug and connector
- LED power indication

P/N	MP16 Cord Sets	Length	Max. rating
2801	MP16 Cord Set with H07BQ-F 3G 1,50mm ² (PUR) Yellow cable	15m	10A
2802	MP16 Cord Set with H07BQ-F 3G 1,50mm ² (PUR) Yellow cable	25m	10A
2823	MP16 Cord Set with H07BQ-F 3G 2,50mm ² (PUR) Yellow cable	5m	16A
2821	MP16 Cord Set with H07BQ-F 3G 2,50mm ² (PUR) Yellow cable	15m	16A
2822	MP16 Cord Set with H07BQ-F 3G 2,50mm ² (PUR) Yellow cable	25m	16A



16A/250V CONNECTOR

- Part no. MP16-110
- Marking: CE
- Waterproof: IP44
- Recommended Cable: H07BQ-F 3G 1,50mm² and 3G 2,50mm²

Ratio
ELECTRIC



32A/250V STAINLESS STEEL INLET

- Part no. MP32-10
- Marking: CE
- Waterproof: IP56
- Solid cast 316 stainless steel



MP 32 CORD SET

- Marking: CE
- Waterproof: IP44
- PUR Cable (H07BQ-F)
- Watertight moulded plug and connector
- LED power indication

P/N	MP32 Cord Sets	Length	Max. rating
2836	MP32 Cord Set with H07BQ-F 3G 4,00mm ² (PUR) Yellow cable	15 m	25A
2832	MP32 Cord Set with H07BQ-F 3G 4,00mm ² (PUR) Yellow cable	25m	25A
2837	MP32 Cord Set with H07BQ-F 3G 6,00mm ² (PUR) Yellow cable	15 m	32A
2838	MP32 Cord Set with H07BQ-F 3G 6,00mm ² (PUR) Yellow cable	25m	32A



32A/250V CONNECTOR (SIDE VIEW)

- Part no. MP32-110
- Marking: CE
- Waterproof: IP44
- Recommended cable
H07BQ-F 3G 4,00mm²
and H07BQ-F 3G 6,00mm²



32A/250V CONNECTOR (FRONT VIEW)

Ratio
ELECTRIC



50A/250V STAINLESS STEEL INLET

- Part no. MP50-10
- Marking: CE
- Waterproof: IP56
- Solid cast 316 stainless steel



MP 50 CORD SET (ASSEMBLY TYPE)

- Marking: CE
- Watertight assembled plug and connector
- PUR Cable (H07BQ-F)
- MP50-110 Connector and 63A blue CEE plug

P/N	MP50 Cord Sets	Length	Max. rating
2851	MP50 Cord Set with H07BQ-F 3G 10,00mm ² (PUR) Yellow cable	15 m	50A
2852	MP50 Cord Set with H07BQ-F 3G 10,00mm ² (PUR) Yellow cable	25m	50A



50A/250V CONNECTOR (SIDE VIEW)

- Part no. MP50-110
- Marking: CE
- Waterproof: IP44
- Recommended cable H07BQ-F 3G 10mm² (max. 25m)



50A/250V CONNECTOR (FRONT VIEW)

Ratio
ELECTRIC

MARINCO COMPATIBLE CORD SETS 16A/250V



- Moulded 3-pin CEE plug
- Moulded Marisco compatible plug
- Threaded locking ring
- Weatherproof protection cap
- LED power indication
- Marking: CE



Nema L5-30

Marisco MCP16 Cord Set

P/N	Marisco Compatible Cord Sets	Length	Max. rating
2811	MCP16 Cord Set with H07BQ-F 3G 2,50mm ² (PUR) Yellow cable	15 m	16A
2812	MCP16 Cord Set with H07BQ-F 3G 2,50mm ² (PUR) Yellow cable	25m	16A

CEE EXTENSION CORD SETS 16A/250V



- Moulded 3-pin (male) CEE plug
- Moulded 3-pin (female) CEE connector with weatherproof protection cap and LED power indication
- Marking: CE

P/N	CEE Extension Cord Sets	Length	Max. rating
2834	CEE16 Cord Set with H07BQ-F 3G 2,50mm ² (PUR) Yellow cable	15 m	16A
2835	CEE16 Cord Set with H07BQ-F 3G 2,50mm ² (PUR) Yellow cable	25m	16A

Ratio
ELECTRIC

Complete Shore Power System for small boats.
10A/250 Vac.



MP16 SHORE POWER KIT



MP16 Shore Power Kit includes:

- MP16 Inlet. Stainless Steel, Polyamid or Chromed version.
- MP16 Cordset, 10A/250V, length 10m (p/n 2803)
- Electrical Cabinet Single

P/N	Description
MP16-Kit	MP16 Kit Stainless Steel Inlet
MP16-K-Kit	MP16 Kit Polyamid Inlet
MP16-KX-Kit	MP16 Kit Chromed Inlet

ELECTRICAL CABINET



- Circuitbreaker 16A
- Earth leakage protection 30mA
- LED Power indication
- Schuko outlet
- IP65 Housing

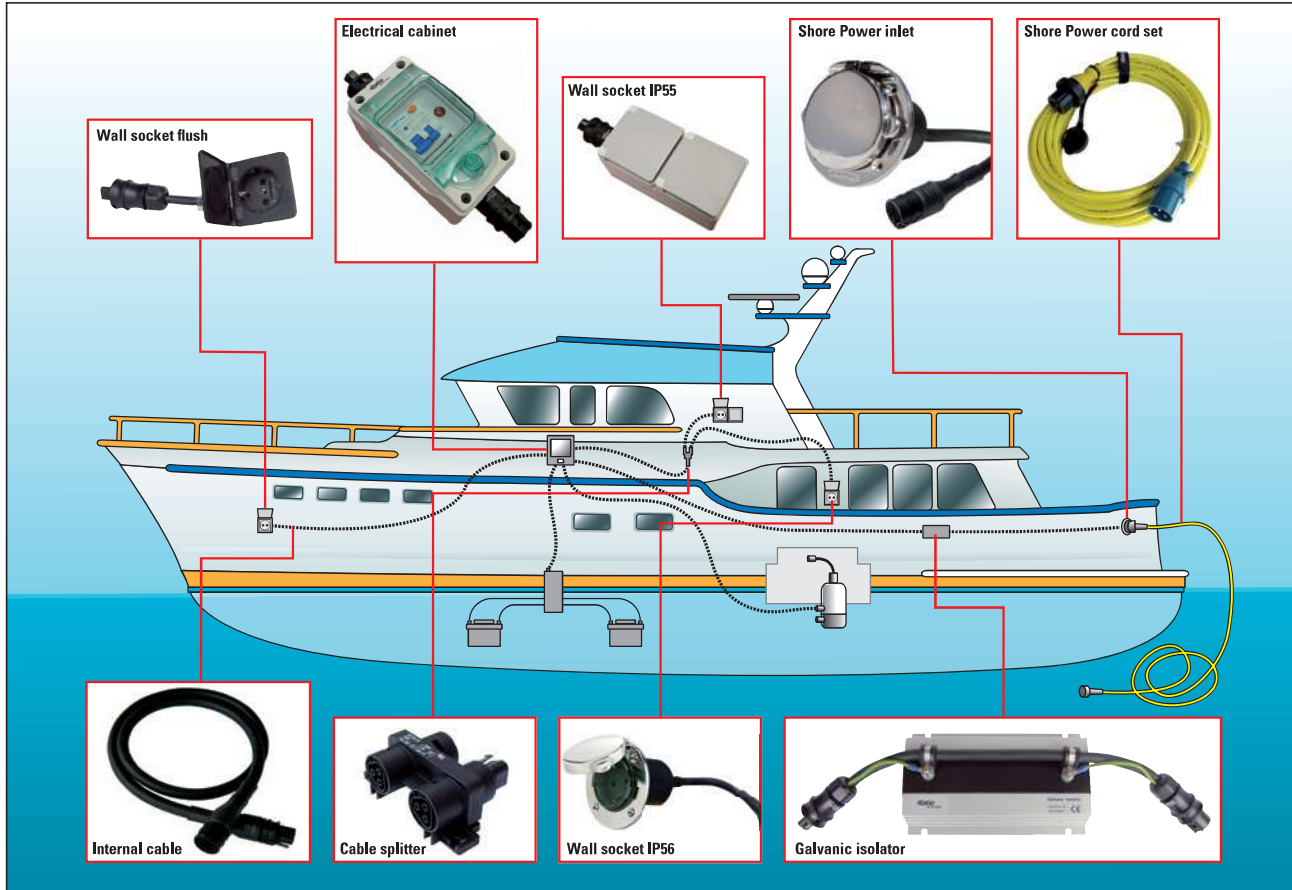
P/N	Description
70051	Electrical Cabinet Single (1x Schuko outlet)
70052	Electrical Cabinet Dual (2x Schuko outlet)



Ratio
ELECTRIC

The Ratio Electric AC16 Power System provides a complete plug & play shore power and battery charger system for boats. The system is flexible and easy to extend or modify. All components use snap-in connections for easy installation.

AC16 MODULAR PLUG & PLAY 230 VAC CABLING SYSTEM



AC16 POWER SYSTEM COMPONENTS



P/N	Inlet with Cord	Max. rating
AC 16-01	Stainless Steel Inlet	16A
AC 16-01-K	Polyamid Inlet	16A
AC 16-01-KX	Chrome plated Inlet	16A



P/N	Electrical Cabinet	Max. rating
AC 16-03	Electrical Cabinet BASIC	1xRCBO 30mA/16A
AC 16-13	Electrical Cabinet PRO	3xRCBO 30mA/16A

Ratio
ELECTRIC



INTERNAL CABLE

P/N	Internal Cable	Length	Max. rating
AC16-02-1	Internal Cable H07RN-F 3G 2,50mm ²	1 m	20A
AC16-02-2	Internal Cable H07RN-F 3G 2,50mm ²	2 m	20A
AC16-02-3	Internal Cable H07RN-F 3G 2,50mm ²	3 m	20A
AC16-02-4	Internal Cable H07RN-F 3G 2,50mm ²	4 m	20A
AC16-02-5	Internal Cable H07RN-F 3G 2,50mm ²	5 m	20A

WALL SOCKET IP55

P/N	Wall Socket IP55	Max. rating
AC16-07-1	Wall Socket 1-way IP55	16A
AC16-07-2	Wall Socket 2-way IP55	16A

WALL SOCKET FLUSH

P/N	Wall Socket Flush	Max. rating
AC16-17	Wall Socket 1-way FLUSH white	16A
AC16-18	Wall Socket 1-way FLUSH black	16A
AC16-19	Wall Socket 1-way FLUSH brown	16A

WALL SOCKET IP56

P/N	Wall Socket IP56	Max. rating
AC16-23	Wall Socket IP56	16A

GALVANIC ISOLATOR

P/N	Galvanic Isolator	Max. rating
AC16-20	Galvanic Isolator	16A

SPLITTER

P/N	Splitter	Max. rating
AC16-06	Splitter 1:3	16A

The AC Power System is also available as the AC16 Basic Kit (p/n AC16 BASIC). Including:

P/N	Description
2801	Shore Power Cord Set 15m
AC16-01	Stainless Steel Inlet with cord
AC16-03	Electrical Cabinet
AC16-02-1	Internal Cable 1m
AC16-02-2	Internal Cable 2m
AC16-07-2	Wall Socket 2-way IP55

Ratio
ELECTRIC

Schuko outlet socket for exterior applications.

SOCKET IP56

Part no.: MP16-230
Material: solid cast 316 stainless steel
Waterproof: IP56
Marking: CE
Rating: 16A/230V

The Schuko socket is a high quality in-wall outlet designed for outdoor use. The high-gloss polished stainless steel cap and flange garanty a long lasting stylish look. When the bayonet cap is closed the outlet is protected against water ingress (IP56)



Ratio
ELECTRIC

Loose power cords on the dock and on the deck can create dangerous situations. The Shore Power Cord Clips from Ratio Electric helps you to increase safety on and around your boat.

SHORE POWER CORD DOCK CLIP



For cable H07BQ-F 3G 1,50 mm² p/n 70040
For cable H07BQ-F 3G 2,50 mm² p/n 70041

- Use on the edge of the dock or deck
- Keeps Powercords organised and out of the water
- Packaged as a set of 6 clips with stainless steel mounting screws
- Easy to install

SHORE POWER CORD RAIL CLIP



p/n 70038

- Keeps your Power cord from the deck
- Easy clip on tube or wire rails
- Packaged as set of 6 clips
- For 16A cords



Ratio
ELECTRIC

Ratio Electric uses PUR (H07BQ-F) cable for all its cord sets.
The same cable can also be supplied on 50m rings.
PUR cable offers the best available features for boat owners.

SHORE POWER CABLE 50M RING



- Good resistance to oil and other chemicals
- Extremely robust and noted for its good tear and abrasion resistance
- Suitable for outdoor use and resistant to UV radiation, ozon and oxygen
- Approval: KEMA
- Marking: H07BQ-F

P/N	Description	Max. rating
70030	Shore Power H07BQ-F 3G 1,50mm ² (PUR) Yellow cable	10A
70031	Shore Power H07BQ-F 3G 2,50mm ² (PUR) Yellow cable	16A
70032	Shore Power H07BQ-F 3G 4,00mm ² (PUR) Yellow cable	25A
70033	Shore Power H07BQ-F 3G 6,00mm ² (PUR) Yellow cable	32A
70034	Shore Power H07BQ-F 3G 10,00mm ² (PUR) Yellow cable	40A



Powerful Performance.
Powerful Products.

Ratio
ELECTRIC

ORGANISER BAG



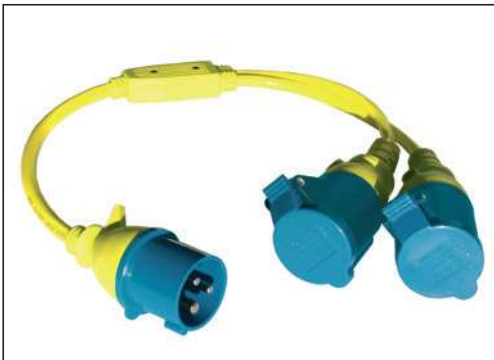
Part no. 70021

ADAPTER CORD SET 16A/250V



Part no. 70022
Length 0,30m

SPLITTER CORD SET CEE 16A/250V



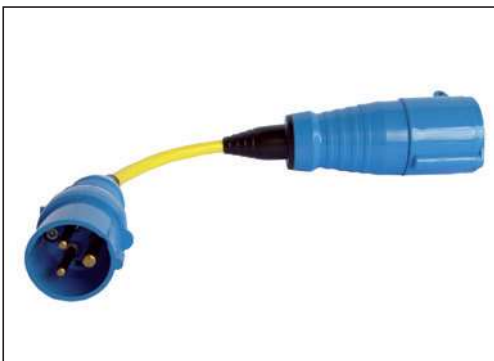
Part no. 70024
Length 0,50m

ADAPTER CORD SET 16A/250V



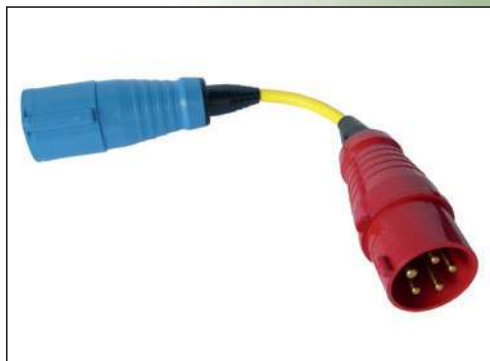
Part no. 70026
Length 0,30m

ADAPTER CORD SET 16A TO 32A/250V



Part no. 70035
Length 0,50m

ADAPTER CORD SET 32A 3-PHASE TO SINGLE PHASE



Part no. 70036
Length 0,50m



Ahead in Shore Power

Ratio
ELECTRIC

While Shore power solutions are still developing, we would welcome your comments and ideas on any adaptations to our existing products as well as your useful suggestions for possible new products. Please send your comments to: info@ratio.nl

Much obliged,

Hans Snaak
Managing Director
Ratio Electric

Contact

Phone:

+31 33 245 23 60

E-mail:

info@ratio.nl

www.ratio.nl

Postal Address:

Ratio Electric BV
Ambachtsstraat 12
3861 RH Nijkerk
The Netherlands