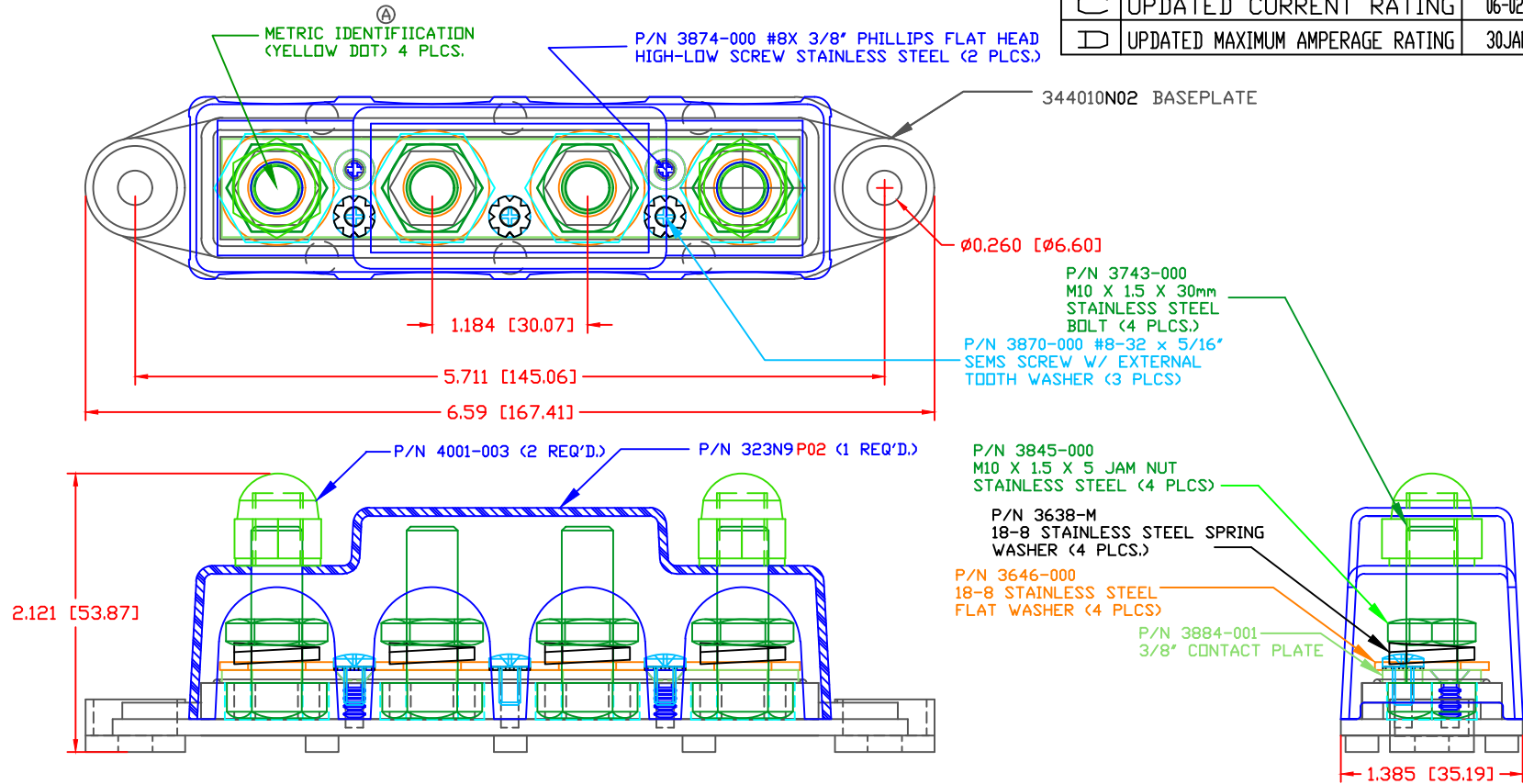


THE INFORMATION CONTAINED IN THIS DRAWING IS THE SOLE PROPERTY OF VTE INCORPORATED. ANY REPRODUCTION IN PART OR WHOLE WITHOUT THE WRITTEN PERMISSION OF VTE INCORPORATED IS PROHIBITED. VTE MAKES NO WARRANTY, EXPRESSED OR IMPLIED, AS TO THE SUITABILITY OF A PRODUCT FOR ANY INTENDED USE. THE CUSTOMER SHALL BEAR THE SOLE RESPONSIBILITY OF DETERMINING THE SUITABILITY OF ANY VTE PRODUCT FOR ITS END USE.

LTR.	REVISIONS	DATE	INT.
A	ADDED METRIC IDENTIFICATION METHOD	04-05-11	BRH
B	REMOVED (BLUE DOT) NOTE	10-20-15	RAS
C	UPDATED CURRENT RATING	06-02-15	RAS
D	UPDATED MAXIMUM AMPERAGE RATING	30JAN17	RAS



SCALE FACTOR : NONE  
 ALL DIMENSIONS GIVEN AS: in [mm]  
 TOLERANCES UNLESS OTHERWISE SPECIFIED :  
 MOLDED PARTS:  $\pm 0.30"$  [ $\pm 0.8mm$ ]  
 HARDWARE ITEMS:  $\pm 0.10"$  [ $\pm 0.25mm$ ]

MATERIAL PART NO: 7111210502  
 MATERIAL: GLASS FILLED NYLON  
 VENDOR PART NO: HYLON N2015 HL NAT  
 SPECIFIC GRAVITY: 1.23  
 MELTING TEMP: 515 F [268 C]  
 U.L. RATING: UL 94 HB

INCLUDES COVER P/N 723N4 AND ASSEMBLY P/N 74010N0N02  
 MAXIMUM RECOMMENDED FASTENER TORQUE: (180 IN./LBS.) [20.3 Nm]  
 ( ANTI-SEIZE RECOMMENDED )

MAXIMUM RECOMMENDED AMPERAGE: 250 AMPS @ 12VDC

VTE Incorporated  
 5437 Robinson Road, P.O. Box 790  
 Pellston, Michigan 49769  
 Telephone: 1-800-527-9256, 231-539-8000  
 FAX: 231-539-0914

REF:	DATE:	DRN BY:	BRH	WEIGHT:
CUSTOMER DIMS	08-16-10	CHK'D BY:	BRH	.549LBS [249G]
TITLE: BUSBAR, 4 POINT, M10 W/ COVER				SCALE: NONE
MATERIAL: GLASS FILLED NYLON			PART NO.	
COLOR: RED			74010N1N02	
DRG CLASS REV D				